

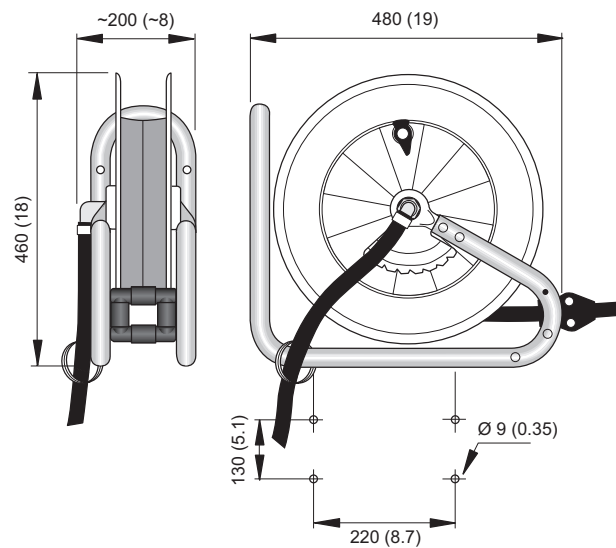
## Hose Reel Series 893



A medium sized hose reel with open design. Versatile and easy to mount in industrial and workshop environments.

- Open design for easy cleaning and servicing
- Unique stand design offers mounting flexibility

### Dimensions



### Technical data

Use for	Max. working pressure, MPa (psi)	Distribution hose, Int. Ø, mm (in)	Distribution hose, Length, m	Connection hose, Int. Ø, mm (in)	Connection hose, Length, m	Hose material	Hose type *)	Weight, kg	Reel with hose Part no.	Reel without hose Part no.
Air/Water	1.5 (220)	10 (3/8)	15	12.5 (1/2)	1	Rubber	B	13-16	30800693	30800393
Air/Water	1.5 (220)	12.5 (1/2)	10	12.5 (1/2)	1	Rubber	B	13-16	30800893	30800793
Water – food grade hose	2.0 (290)	12.5 (1/2)	10	12.5 (1/2)	1	Rubber	E	13-16	30801093	–
HP water	25 (3625)	10 (3/8)	15	10 (3/8)	1	Rubber	G	13-16	30801893	30801793
Oil	7.5 (1090)	12.5 (1/2)	10	12.5 (1/2)	1	Rubber	I	13-16	30801693	30801593
Grease	35 (5075)	6 (1/4)	15	6 (1/4)	1	Rubber	J	13-16	30802693	30802593

\*) See table below

Material recycling: 100 %

Hose type	Specification	Temperature range, °C	Hose fittings in free hose end, Distribution hose	Hose fittings in free hose end, Inlet hose	Hose connection on reel, Distribution hose	Hose connection on reel, Inlet hose
B	Cover in NBR / PVC and inner tube in NBR. Synthetic textile braid	-30 – +100	Male BSP, chrome plated	–	Hose tail + clamp	Hose tail 1/2" + clamp
E	Cover in NBR / PVC and inner tube in food grade quality NBR. Synthetic textile braid	-20 – +100 (steam up to +165 )	Male BSP 60° cone, chrome plated	Female BSP 60° cone, chrome plated	Male BSP 60° cone	Male BSP 60° cone
G	Cover and inner tube in synthetic rubber. Single steel braid	-40 – +155	Female BSP 60° cone, chrome plated. With rubber hose grip	Female BSP 60° cone, chrome plated	Male BSP 60° cone	Male BSP 60° cone
I	Cover and inner tube in SBR based rubber. Single steel braid	-40 – +100	Female BSP 60° cone, chrome plated	Female BSP 60° cone, chrome plated	Male BSP 60° cone	Male BSP 60° cone
J	Cover and inner tube in synthetic, oil resistant rubber. Double steel braid	-40 – +100	Female BSP 60° cone, chrome plated	Female BSP 60° cone, chrome plated	Male BSP 60° cone	Male BSP 60° cone