

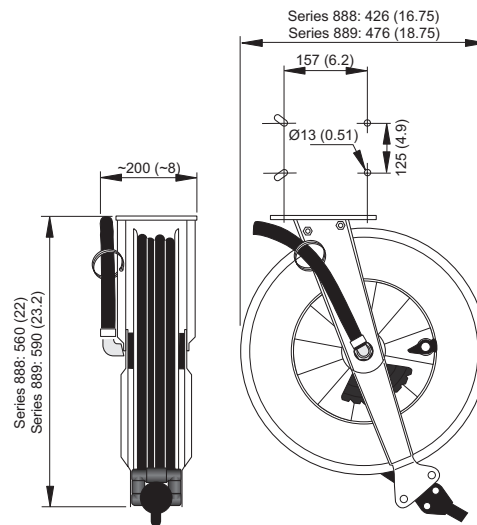
Hose Reel Series 888/889



A reliable, medium sized hose reel for safe and maintenancefree operation in industrial use. Available in two sizes: Series 888 and Series 889.

- Outlet roller position can be adjusted through 120° for optimal pull-out angle
- Spring tension is easily adjusted
- Latch function is easily disengaged

Dimensions



Technical data

Use for	Max. working pressure, MPa (psi)	Distribution hose Int. Ø, mm (in)	Distribution hose Length, m	Connection hose Int. Ø, mm (in)	Connection hose Length, m	Hose material	Hose type *)	Weight, kg	Reel with hose Part no.	Reel without hose Part no.
Air/Water	1.5 (220)	10 (3/8)	15	12.5 (1/2)	1	Rubber	B	11-16	30800688	30800388
Air/Water	1.5 (220)	10 (3/8)	20	12.5 (1/2)	1	Rubber	B	11-16	30800689	30800589
Air/Water	1.5 (220)	12.5 (1/2)	10	12.5 (1/2)	1	Rubber	B	11-16	30800888	30800788
Air/Water	1.5 (220)	12.5 (1/2)	15	12.5 (1/2)	1	Rubber	B	11-16	30800889	30800789
Water –food grade hose	2.0 (290)	12.5 (1/2)	10	12.5 (1/2)	1	Rubber	E	11-16	30801088	–
Water –food grade hose	2.0 (290)	12.5 (1/2)	13+2	12.5 (1/2)	1	Rubber	E	11-16	30801089	–
HP water	25 (3625)	10 (3/8)	15	10 (3/8)	1	Rubber	G	11-16	30801888	30801788
HP water	25 (3625)	10 (3/8)	18	10 (3/8)	1	Rubber	G	11-16	30801889	30801789
Oil	7.5 (1090)	12.5 (1/2)	10	12.5 (1/2)	1	Rubber	I	11-16	30801688	30801588
Oil	7.5 (1090)	12.5 (1/2)	15	12.5 (1/2)	1	Rubber	I	11-16	30801689	30801589
Grease	35 (5075)	6 (1/4)	15	6 (1/4)	1	Rubber	J	11-16	30802688	30802588

*) See table below

Material recycling: 100 %

Hose type	Specification	Temperature range, °C	Hose fittings in free hose end, Distribution hose	Hose fittings in free hose end, Inlet hose	Hose connection on reel, Distribution hose	Hose connection on reel, Inlet hose
B	Cover in NBR / PVC and inner tube in NBR. Synthetic textile braid	-30 – +100	Male BSP, chrome plated	–	Hose tail + clamp	Hose tail 1/2" + clamp
E	Cover in NBR / PVC and inner tube in food grade quality NBR. Synthetic textile braid	-20 – +100 (steam up to +165)	Male BSP 60° cone, chrome plated	Female BSP 60° cone, chrome plated	Male BSP 60° cone	Male BSP 60° cone
G	Cover and inner tube in synthetic rubber. Single steel braid	-40 – +155	Female BSP 60° cone, chrome plated. With rubber hose grip	Female BSP 60° cone, chrome plated	Male BSP 60° cone	Male BSP 60° cone
I	Cover and inner tube in SBR based rubber. Single steel braid	-40 – +100	Female BSP 60° cone, chrome plated	Female BSP 60° cone, chrome plated	Male BSP 60° cone	Male BSP 60° cone
J	Cover and inner tube in synthetic, oil resistant rubber. Double steel braid	-40 – +100	Female BSP 60° cone, chrome plated	Female BSP 60° cone, chrome plated	Male BSP 60° cone	Male BSP 60° cone