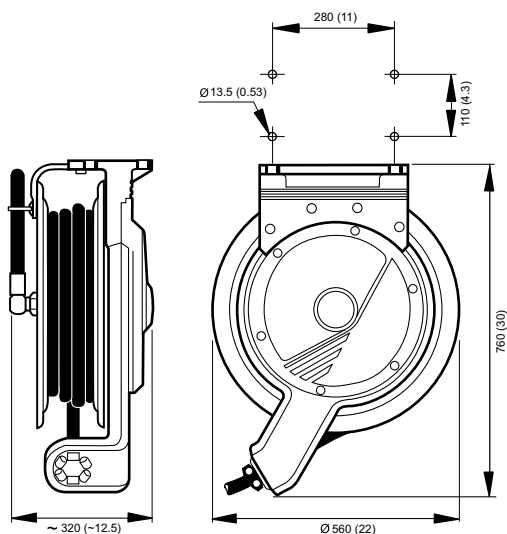


Hose Reel Series 884

Heavy duty hose reel for long and heavy hoses. Made of epoxy coated die cast aluminium. Ball bearings in drum and swivel. Fully protected inner mechanisms.



- Strong, durable and highly corrosion resistant
- Smooth hose operation
- Adjustable outlet arm minimizes friction



Use for	Max. working pressure, MPa (psi)	Distribution hose, Int. Ø, mm (in)	Distribution hose, Length, m	Connection hose, Int. Ø, mm (in)	Connection hose, Length, m	Hose material	Hose type (see page 21)	Weight, kg	Reel with hose Part no.	Reel without hose Part no.
Air/Water	1.5 (220)	12.5 (1/2)	20	12.5 (1/2)	1	Rubber	D	28-35	30810284	30810184
Air/Water	1.5 (220)	12.5 (1/2)	30	12.5 (1/2)	1	Rubber	D	28-35	30817484	30817384
Air/Water	1.5 (220)	19 (3/4)	15	19 (3/4)	1	Rubber	D	28-35	30810484	30810384
Air/Water	1.5 (220)	25 (1)	10	25 (1)	1	Rubber	D	28-35	30810684	30810584
Water – food grade hose	2.0 (290)	12.5 (1/2)	20	12.5 (1/2)	1	Rubber	E	28-35	30810884	–
Water – food grade hose	2.0 (290)	19 (3/4)	15	19 (3/4)	1	Rubber	E	28-35	30811284	30812184
Water – food grade hose	2.0 (290)	25 (1)	10	25 (1)	1	Rubber	E	28-35	30811484	30813384
HP water	25 (3625)	10 (3/8)	25	10 (3/8)	1	Rubber	G	28-35	30811684	30811584
Oil	7.5 (1090)	12.5 (1/2)	20	12.5 (1/2)	1	Rubber	I	28-35	30811884	30811784
Oil	7.5 (1090)	12.5 (1/2)	30	12.5 (1/2)	1	Rubber	I	28-35	30813684	30813584
Oil	5.0 (725)	19 (3/4)	15	19 (3/4)	1	Rubber	I	28-35	30812284	30812184
Oil	5.0 (725)	25 (1)	10	25 (1)	1	Rubber	I	28-35	30813484	30813384
Diesel*	5.0 (725)	–	–	–	1	–	–	28-35	–	30814584
Grease	35 (5075)	6 (1/4)	25	6 (1/4)	1	Rubber	J	28-35	30813284	–

Material recycling: 100 %

* For 15 m (3/4") hose. Connections on reel: male 3/4" BSP

Accessories: see page 21

Product availability may differ by country